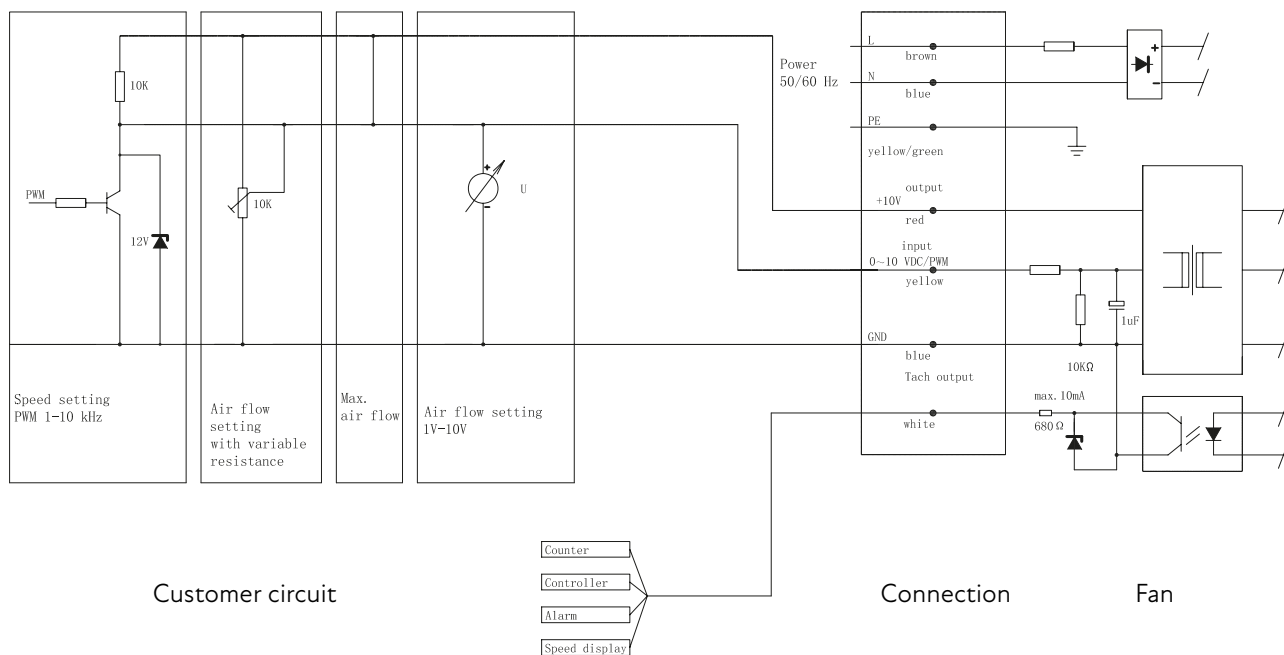


Electrical connections for EC Single Phase Fans



Line	Connection	Color	Function
1	L	brown	Single-phase 50/60 Hz
	N	blue	
	PE	yellow / green	
2	+10V	red	+10V output
	0-10V/PWM	yellow	Speed control input
	GND	blue	GND
	Tach	white	Tach output EC072, EC092: 1 pulse/R EC102: 12 pulse/R