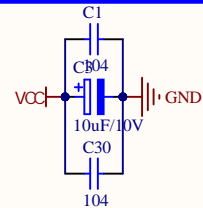
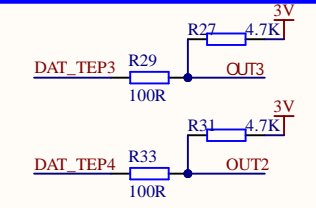
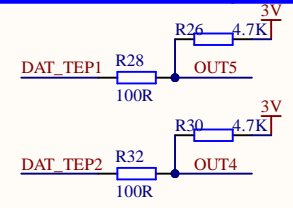
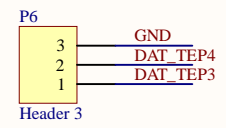
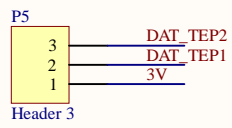
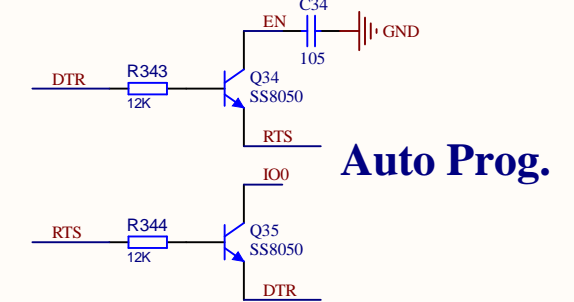
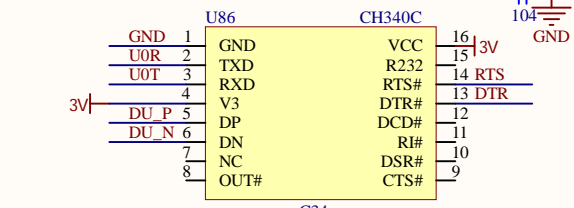
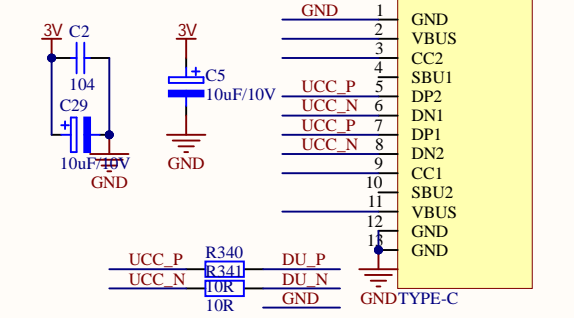


### ESP32-S



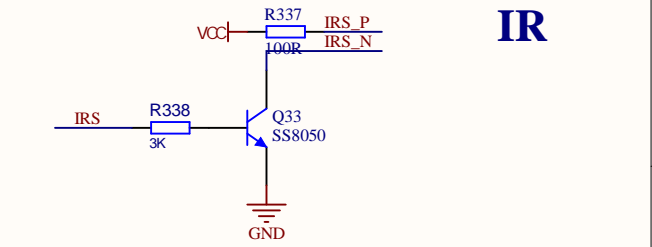
### USB2TTL



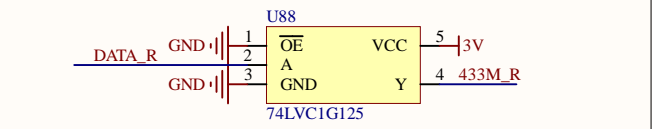
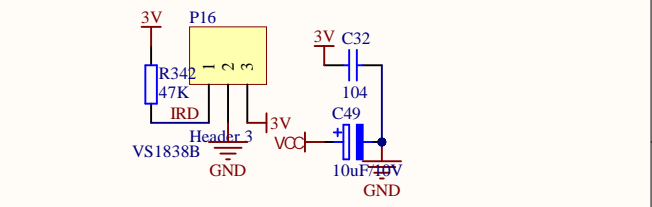
### Auto Prog.



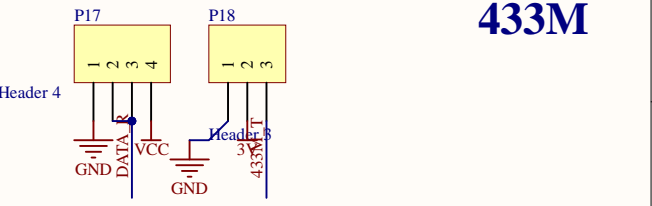
### TO MCU



### IR



### 433M



Title		
Size	Number	Revision
A4		
Date:	4/11/2022	Sheet of
File:	D:\project\..ESP32S.SchDoc	Drawn By:

1

2

3

4

A

A

B

B

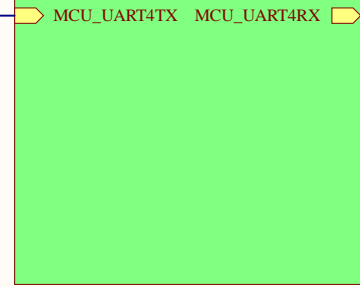
C

C

D

D

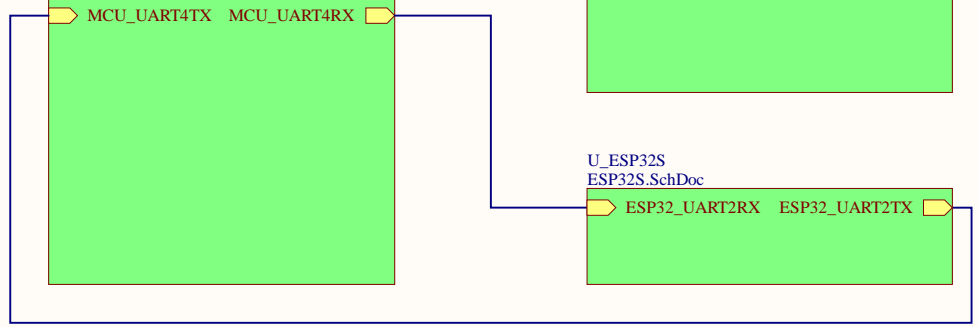
U\_MCU\_NET\_POWER  
MCU\_NET\_POWER.SchDoc



U\_PL\_CM4\_V2  
PL\_CM4\_V2.SchDoc



U\_ESP32S  
ESP32S.SchDoc



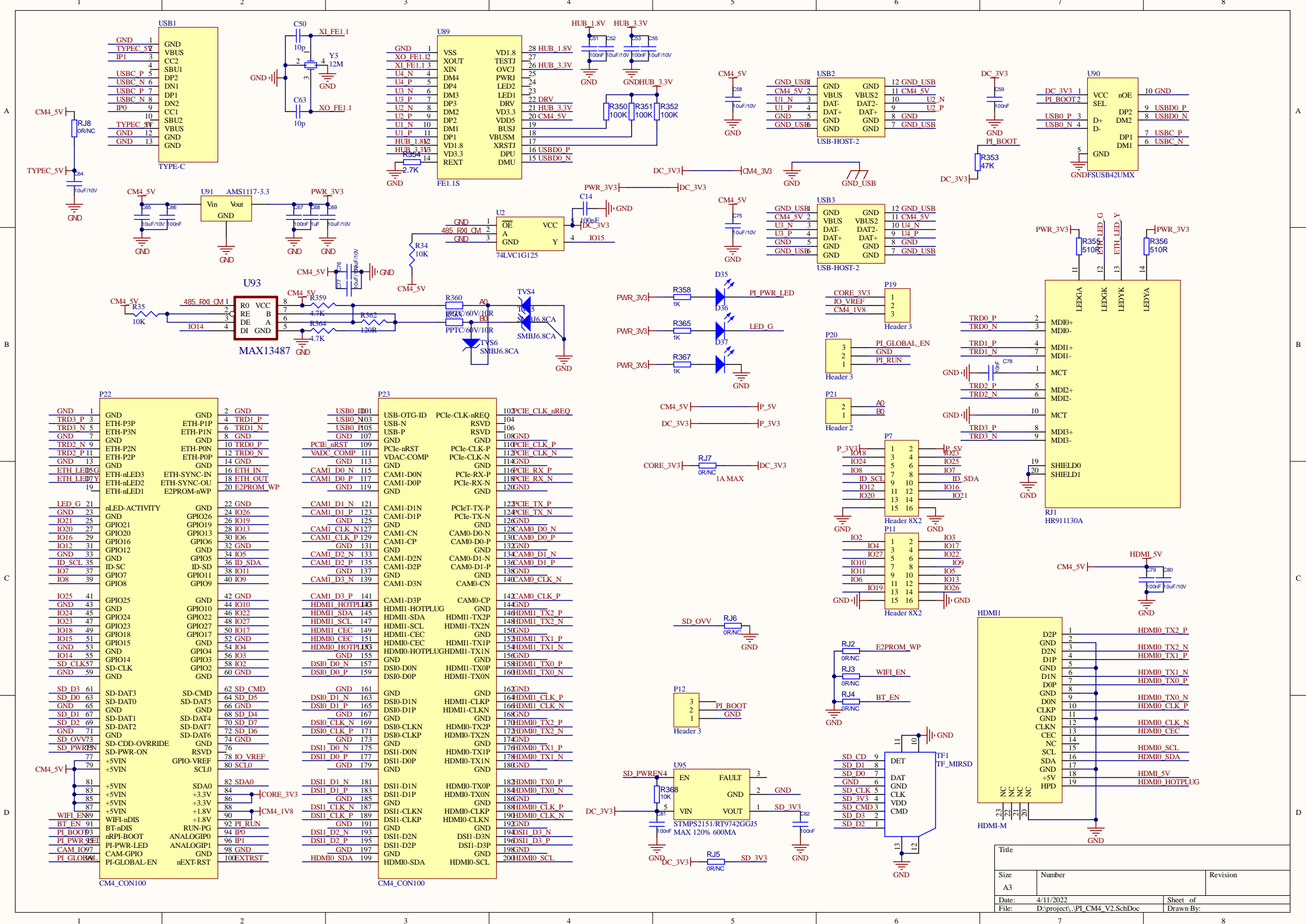
Title		
Size	Number	Revision
A4		
Date:	4/11/2022	Sheet of
File:	D:\project\.. \KC868_SERVER_ALL_SHEETS\DF.SchDoc	

1

2

3

4



Title		
Size	Number	Revision
A3		
Date:	4/11/2022	Sheet of
File:	D:\project\...PI_CM4_V2.SchDoc	Drawn By: